

Technical data sheet

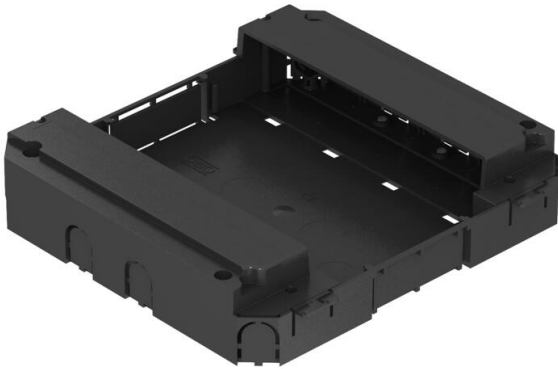
Module support for vertical installation Modul 45® devices

Item number: 7408698



Module support for the installation of up to eight Modul 45 devices in an empty standard device insert or in an empty height-adjustable cassette of the nominal sizes 9 or R9. The module support is snapped into the locking ladders.

MT45V installation frames for the installation of Modul 45 devices and the MPMT45 mounting plates for data sockets can be ordered separately. The holes on the side wall for the pipe entry have a diameter of 21 mm.



PA Polyamide

Master data

Item number	7408698
Type	MT45V 0
Description 1	Module support
Description 2	for system height 55 mm
Manufacturer	OBO
Colour	Graphite black; RAL 9011
Material	Polyamide
Smallest sales unit	1
Unit of quantity	Piece
Weight	29 kg
Weight unit	kg/100 pc.
CO2 Footprint (GWP) Cradle-to-Gate	1,0923 kg CO2e / 1 Piece

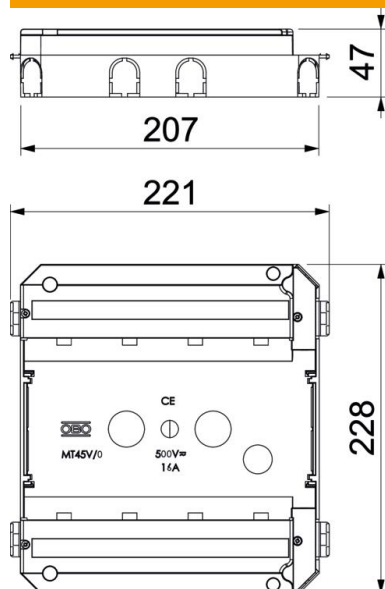
Technical data sheet

Module support for vertical installation Modul 45® devices

Item number: 7408698



Dimensions



Technical data

Floor plate	no
Seal installation option	no
Suitable for raised floor installation	yes
Suitable for screed-flush closed underfloor ducts	yes
Suitable for screed-covered underfloor ducts	yes
Suitable for cavity floor installation	yes
Suitable for underfloor ducts	yes
Accessory mounting type	Lock
Strain relief option	yes